



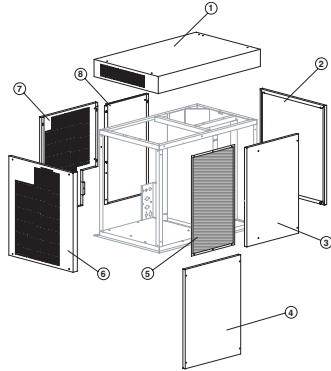
LIST OF THE EXPLODED VIEWS

2nd Version

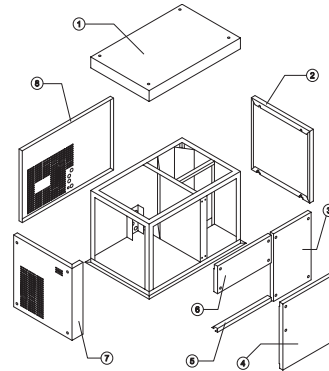
SM 1750A
SM 1750W



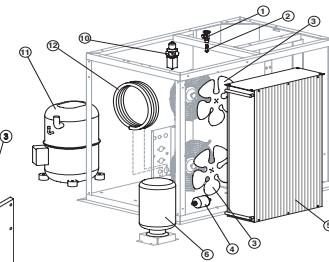
SHELL ASSY
(2nd VERSION)



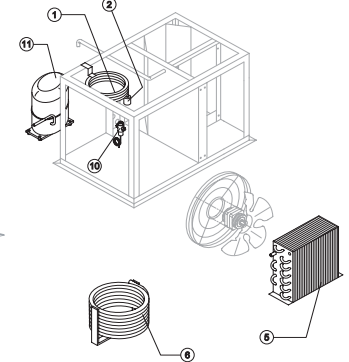
SHELL ASSY
(1st VERSION)



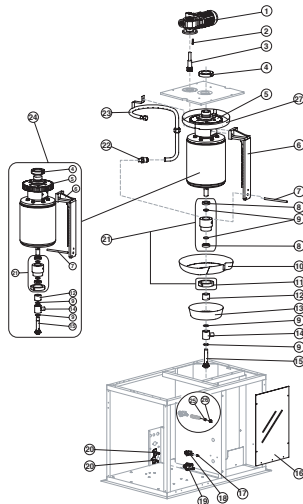
COOLING SYSTEM
(2nd VERSION)



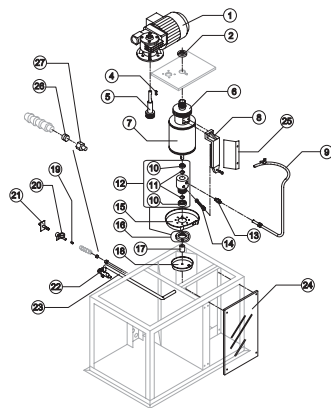
COOLING SYSTEM
(1st VERSION)



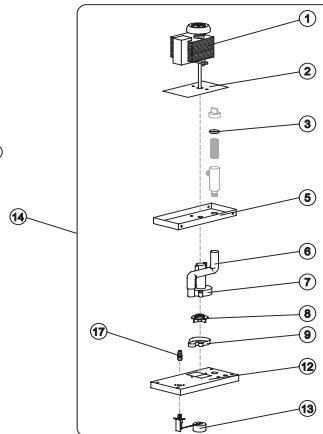
EVAPORATOR
(2nd VERSION)



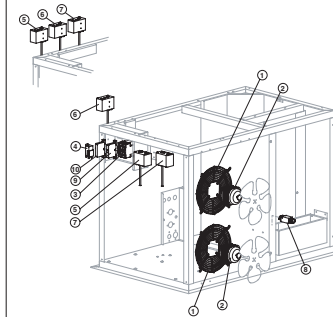
EVAPORATOR
(1st VERSION)



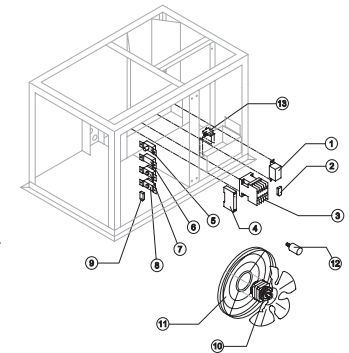
PUMP



ELECTRIC PARTS
(2nd VERSION)



ELECTRIC PARTS
(1st VERSION)



1st Version

SM 1750AW
SM 1750W

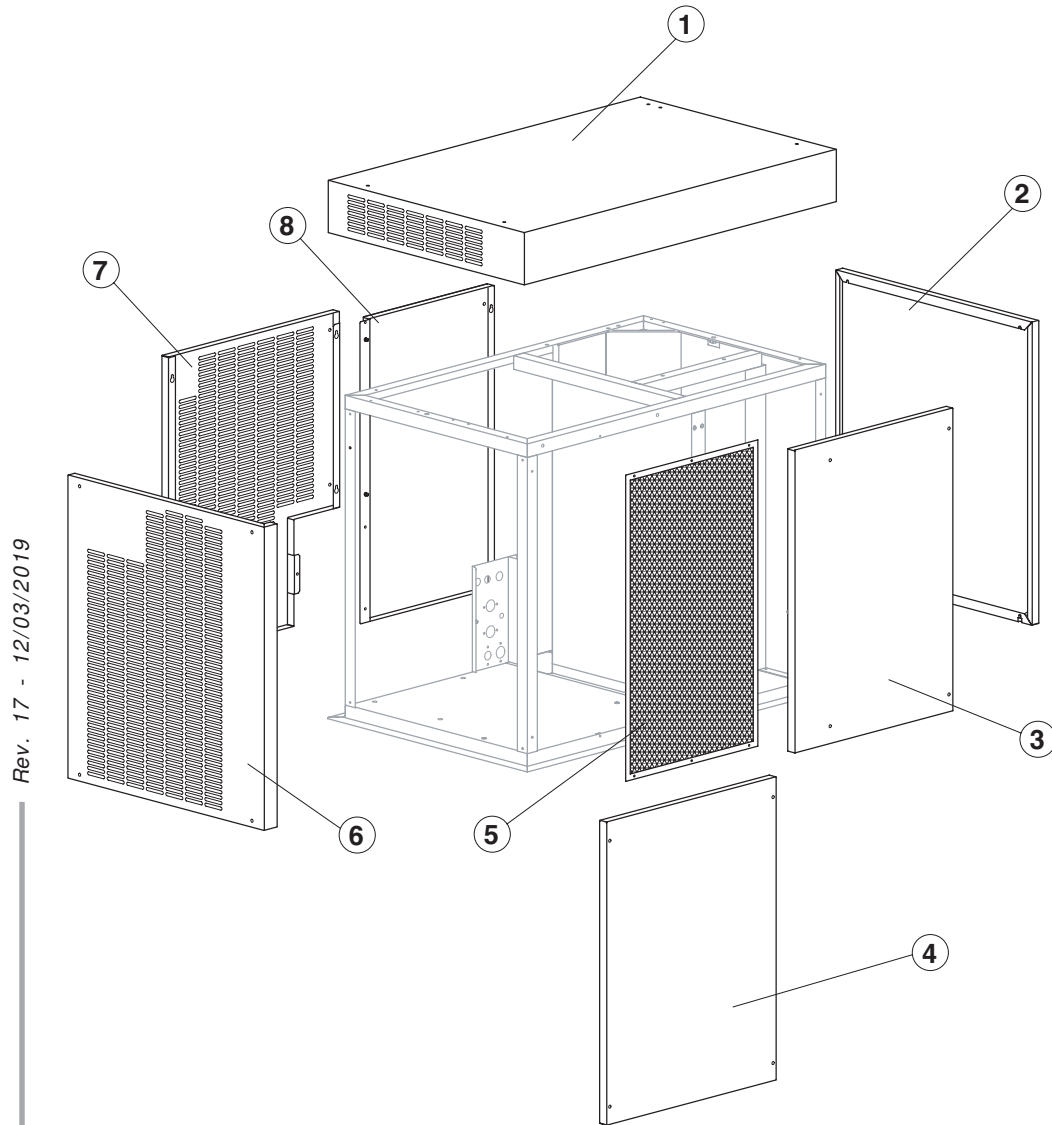


Rev. 17 - 12/03/2019



2nd Version SM1750A - SM1750W - SM1750AW

SHELL ASSY



Rev. 17 - 12/03/2019

Common Parts

Ref.	Spare Description	Code
1	Top Assembly	C22449
2	Right Side Panel	22445
3	Front Panel Assy (Evaporator Side)	22448
6	Left Side Panel	22444
7	Rear Panel (Group Side)	22926
8	Rear Panel (Evaporator Side)	22925

Parts for Air-Cooled and Mixed Cooled Version Only

Ref.	Spare Description	Code*
5*	Filter	18183

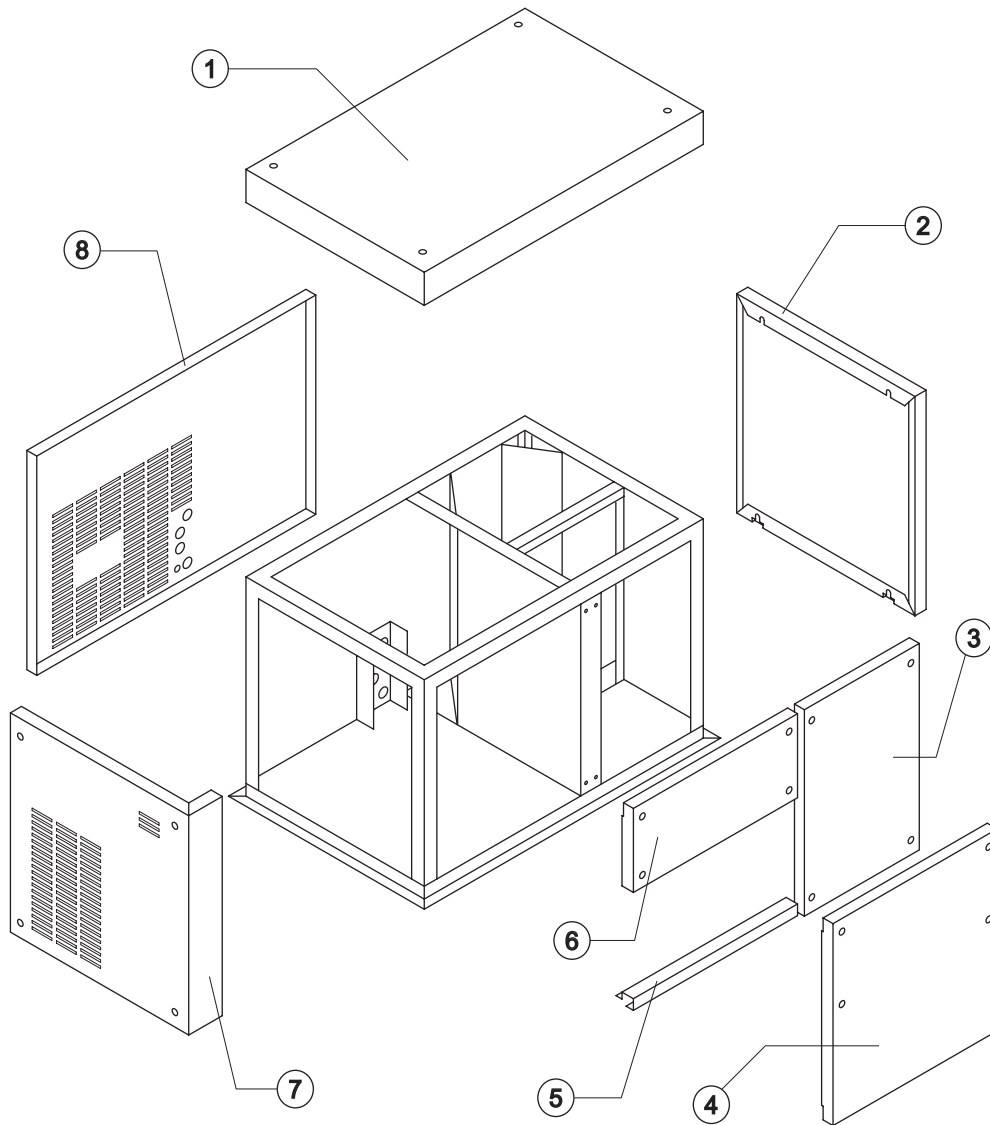
Parts for Water-Cooled Version Only

Ref.	Spare Description	Code
4	Front Panel	22927



1st Version SM1750A/W - SM1750W

SHELL ASSY



Common Parts

Ref.	Spare Description	Code
1	Top Assembly	C22449
2	Right Side Panel	22445
3	Front Panel Assy (Evaporator Side)	22448
7	Left Side Panel	22444
8	Rear Panel	22450

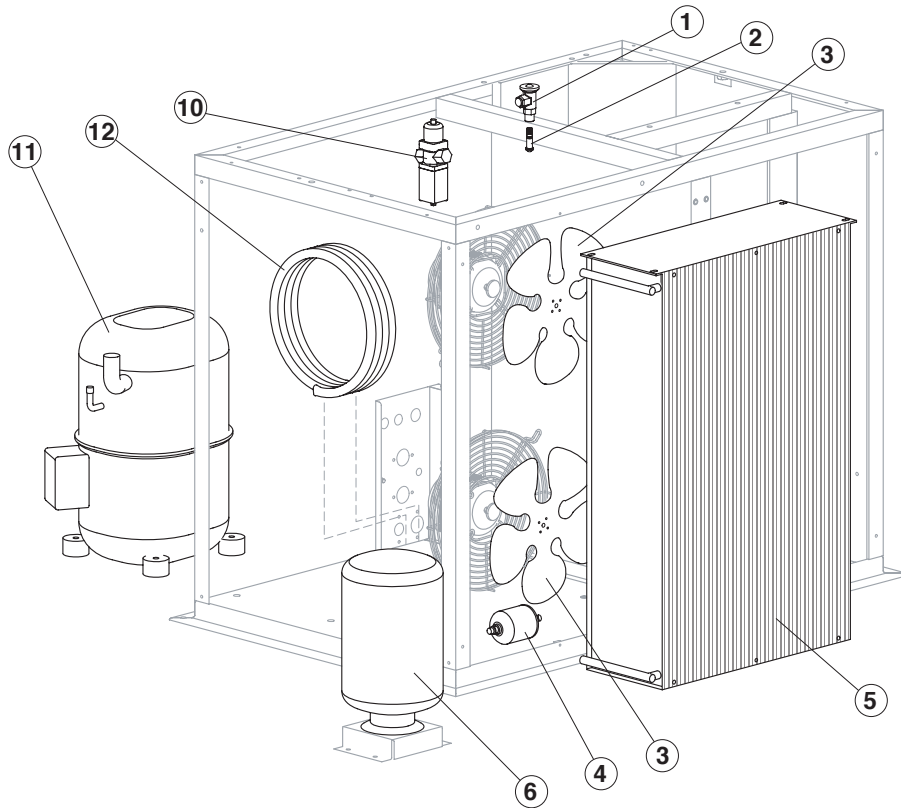
Parts for Water-Cooled Version Only

Ref.	Spare Description	Code
4	Front Panel	22599

Parts for Mixed Cooled Version Only

Ref.	Spare Description	Code
5	Frontal Template	22446
6	Electrical Box Cover Panel	22486

Rev. 17 - 12/03/2019



Common Parts

Ref.	Spare Description	Code
1	Expansion Valve	20734
2	Orifice	Current Version 20944
2	Orifice	Till s/n. 470848 20733
4*	Solid Core drier	14255
11	Compressor	See Table

Parts for Air-Cooled Version Only

Ref.	Spare Description	Code
3	Sucking Fan	20407
5	Air Condenser	20787

Parts for Water-Cooled Version Only

Ref.	Spare Description	Code
6	Water Condenser	14496
10	Pressostatic Valve	20149

Parts for Mixed Cooled Version Only

Ref.	Spare Description	Code
3	Sucking Fan	20407
5	Air Condenser	20787
12	Water Condenser	14034

Ref. 11 - Compressor

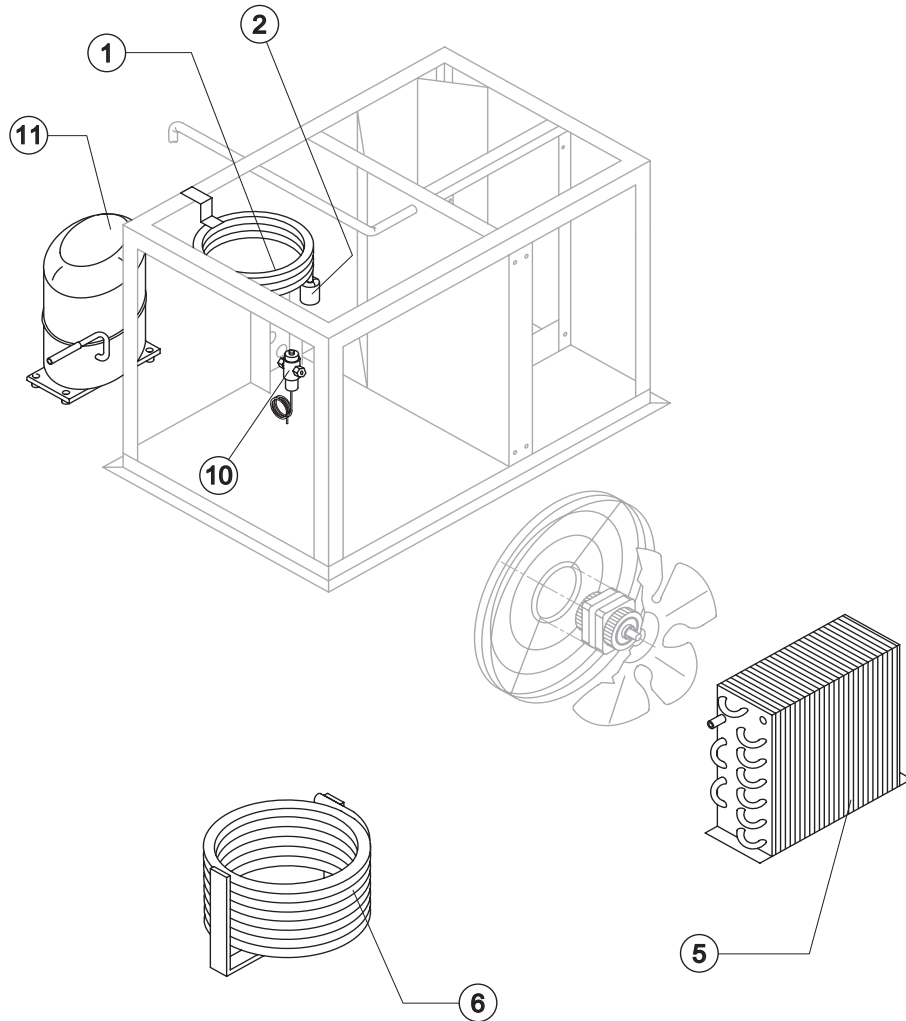
Voltage	Code Current version	Code Till s/n. ...	Code Till s/n.
T15-T17	231387	R231120% till s/n. 962371	23518 till s/n. 711193
T14-16	nd	R231125% till s/n. 962371	23517 till s/n. 714356

% if the model is air-cooled add suffix A, if it is water-cooled add suffix B



1st Version SM1750A/W - SM1750W

COOLING SYSTEM



Common Parts

Ref.	Spare Description	Code
2	Solid Core Drier	14255
10	Pressostatic Valve	20149
11	Compressor	Vedi Tabella

Parts for Water-Cooled Version Only

Ref.	Spare Description	Code
6	Water Condenser	14285

Parts for Mixed Cooled Version Only

Ref.	Spare Description	Code
1	Water Condenser	14034
5	Air Condenser	20396

Ref. 11- Compressor

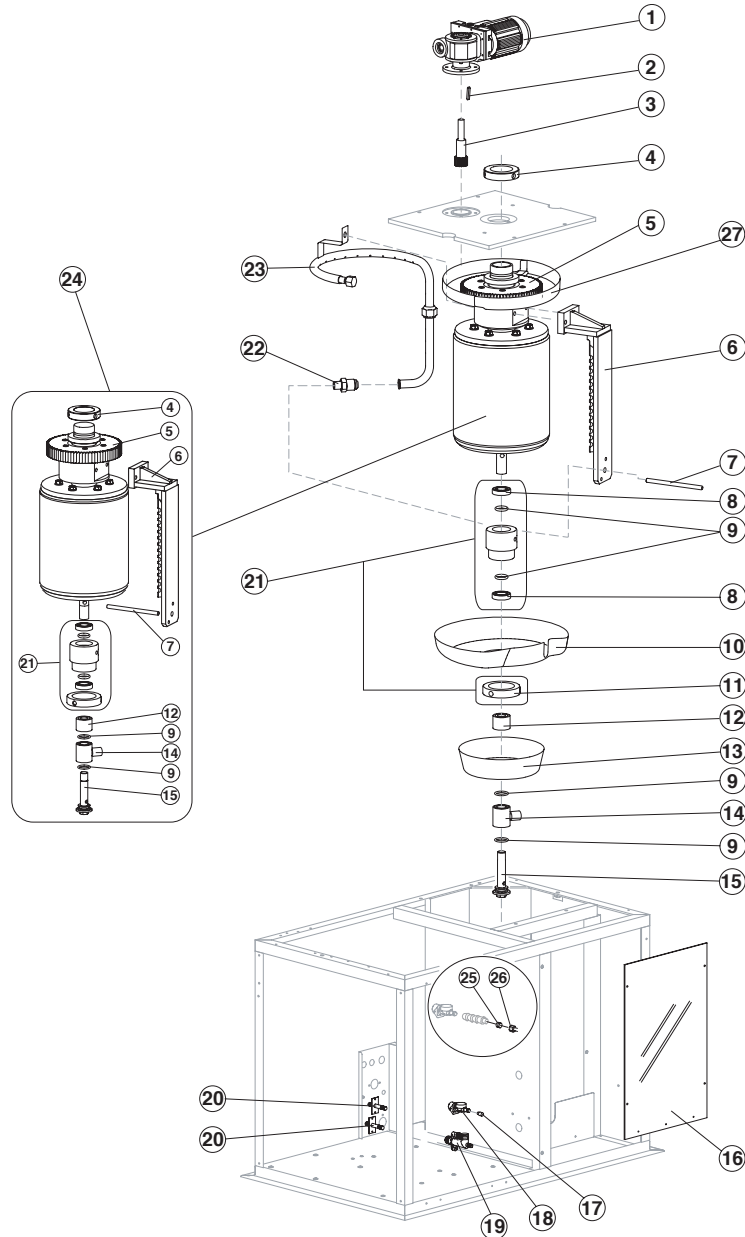
Voltage	Code
230V 3 50 Hz	23517
400V 3N 50 Hz	23648
220-230V 3 60 Hz	23517
440-460V 3N 60 Hz	23648



SM 1750

2nd Version SM1750A - SM1750W - SM1750AW

EVAPORATOR



Common Parts

Ref.	Spare Description	Code
1	Gearmotor Assy	C23412
2	Key 6x6x40	20350
3	Pinion with Shaft for Gearmotor	C20344
4	Cylinder Locking Ring Nut	20365
5	Ring Gear	20363
6	Scraper	20358
7	M10 Tie Rod (to Block Scraper)	20369
8	Stainless Steel Upper Bearing	20045
9	Silicone OR 4081 Ring	20338
10	Rotating Basin	10191
11	Ring Nut for Rotating Ring	10194
12	Spacer	Current Version 10528
12	Spacer	Till s/n. 387018 20366
13	Fixed Basin	C10599
14	Water Inlet Ring	20851
15	Screw	20872
16	Evaporator Chamber Shield	Current Version 10531
16	Evaporator Chamber Shield	Till s/n. 387018 10196
18	1 Way- Water Inlet Nipple	10239
19	Discharges Manifold	10580
21	Complete Rotating Ring	C10193
22	Joint	20367
23	Sprayer Ring	C20357
24	Evaporator	Current Version C11150
24	Evaporator	Till s/n. 387018 KITNEVM800
25	Bush	Till s/n. 260296 20405
26	Nut	Till s/n. 260296 20404
27	Ring Gear Cover	From s/n. 556448 C10631

Parts for Water-Cooled version Only

Ref.	Spare Description	Code
20	Connection with Plate	C20462

Parts for Mixed Cooled version Only

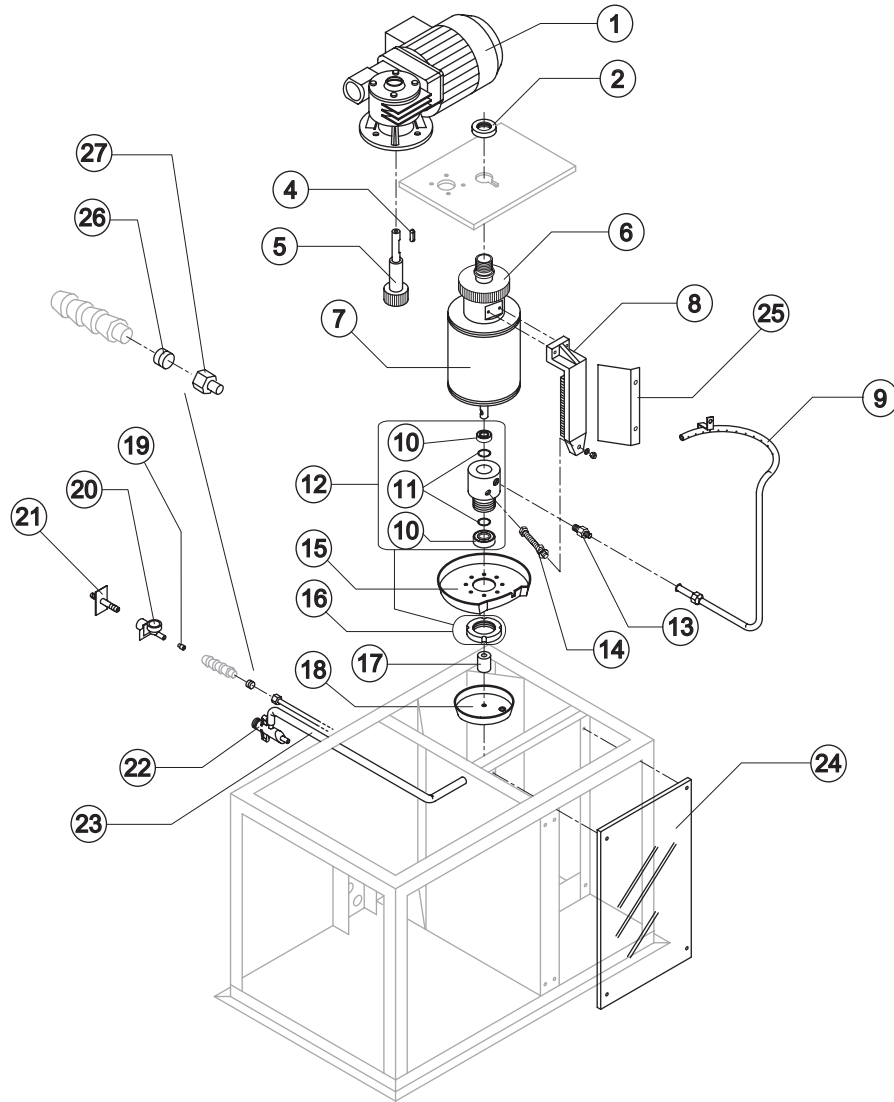
Ref.	Spare Description	Code
17	Lt. 2,0 Flow Control for Water Inlet Connector	10077
20	Connection with Plate	C20462

Rev. 17 - 12/03/2019



1st Version SM1750A/W - SM1750W

EVAPORATOR



Common Parts

Ref.	Spare Description	Code
1	Motor with Reduction Gear Assy	See Table
2	Cylinder Locking Ring Nut	20365
4	Key 6x6x40	20350
5	Pinion with Shaft for Gearmotor	C20344
6	Ring Gear	20363
7	Evaporator	KITNEVM800
8	Scraper	20358
9	Sprayer Ring	C20357
10	Stainless Steel Bearing	20045
11	Silicone OR 4081 Ring	20338
12	Complete Rotating Ring	C10193
13	Joint	20367
14	M10 Tie Rod (to Block Scraper)	20369
15	Rotating Basin	10191
16	Ring Nut for Rotating Ring	10194
17	Spacer	20366
18	Fixed Basin	C10192
20	1 Way- Water Inlet Nipple	10239
23	Overflow Pipe	13088
24	Evaporator Chamber Shield	10196
25	Baffle Plate	10420
26	Bush	20405
27	Nut	20404

Parts for Water-Cooled Version Only

Ref.	Spare Description	Code
21	Connection with Plate	C20462
22	Discharges Manifold	10579

Parts for Mixed Cooled Version Only

Ref.	Spare Description	Code
19	Lt. 2,0 Flow Control for Water Inlet Connector	10077
22	Discharges Manifold	C10053

Ref. 1 - Gearmotor Assy

Voltage	Code
230V 3 50 Hz e 400V 3N 50 Hz	C23412
220-230V 3 60 Hz e 440-460V 3N 60 Hz	C23389

Rev. 17 - 12/03/2019



PUMP

Common Parts

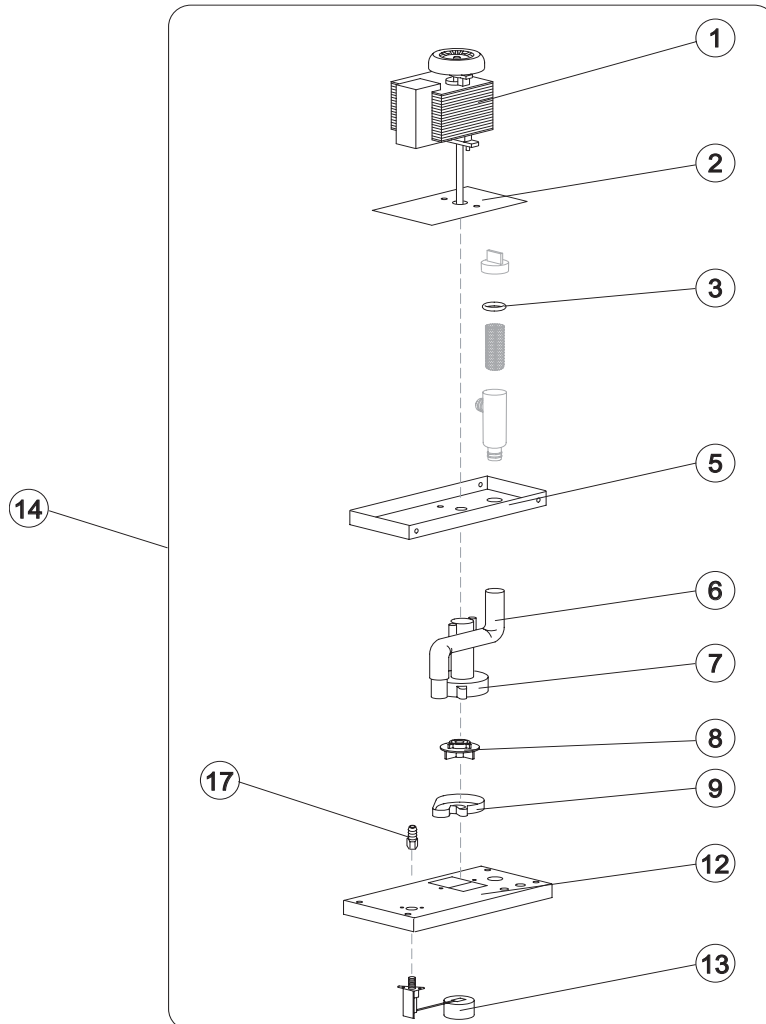
Ref.	Spare Description	Code
1	Pump	See Table
2	Heat Dissipator	22430
3	Pump Filter Gasket	13080
5	Pump Motor Support	10161
6	Pump-Filter Connection Pipe	13084
7	Pump Body	10065
8	Pump Impeller	10138
9	Diffusor	10067
12	Water Pump Basin Cover	22420
13*	Floating Valve	10188
14*	Pump and Filter Assy	See Table
17	Connection	20799

Ref. 1 - Pump

Voltage	Code
230V 3 50 Hz	R23073
400V 3N 50 Hz	R23073
220-230V 3 60 Hz	23187
440-460V 3 60 Hz	23187

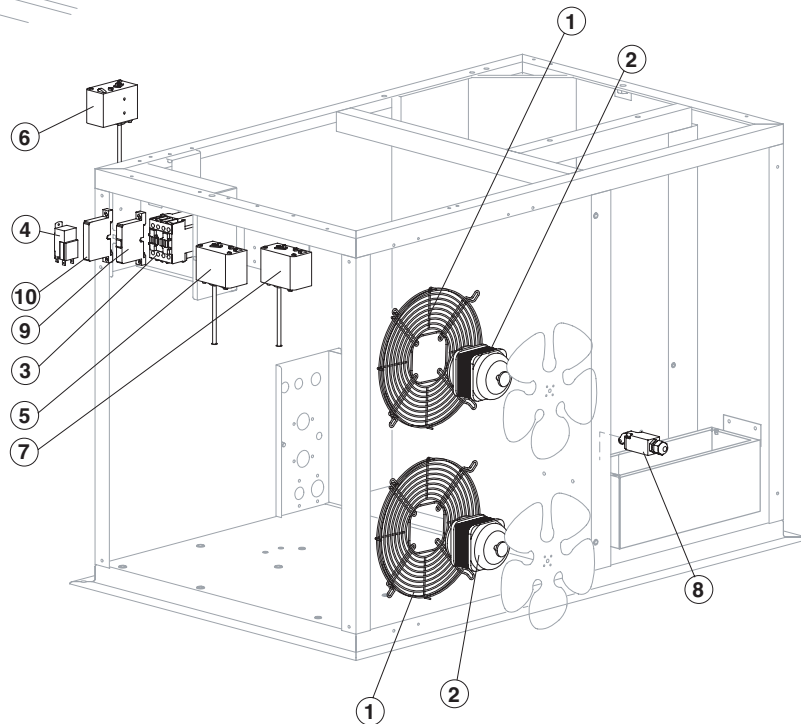
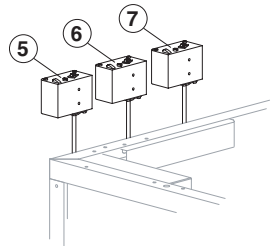
Ref. 14* - Pump and Filter Assy

Voltage	Code	Till s/n. 387018
230V 3 50 Hz	C26738	C26711
400V 3N 50 Hz	C26738	C26711
220-230V 3 60 Hz	C26739	C26712
440-460V 3 60 Hz	C26739	C26712





Pressure Switch Views till s/n. 301010



Common Parts

Ref.	Spare Description	Code
3*	Contactor	See Table
4*	Bin Thermostat	R23005
5	Safety Pressure Switch (Low Pressure Circuit) Current Version	23763
5	Safety Pressure Switch (Low Pressure Circuit) Till s/n. 237664	23577
6	Safety Pressure Switch (High Pressure in Low Pressure Circuit) Till s/n. 716131	23729
7	Safety Pressure Switch (High Pressure)	23729
8	Microswitch for Overflow Ice	23746
9	Thermomagnetic circuit breaker	23910
10	Electronic Delay Timer	From s/n. 516888 231033

Parts for Air-Cooled Version Only

Ref.	Spare Description	Code
1	Fan Motor Grid	12056
2*	Fan Motor	23121

Ref. 3 - Contactor

Voltage	Code
230V 3 50 Hz	23147
400V 3N 50 Hz	23147
220-230V 3 60 Hz	23963
440-460V 3N 60 Hz	23963



Common Parts

Ref.	Spare Description	Code
1	Relay	23190
2	Anti Radio Interference Filter 230V 3 50 Hz e 400V 3N 50 Hz	C23458
3	Contactora	See Table
4	Phases-Sequence Sensor	23903
5	Safety Pressure Switch (Maximum Pressure)	23342
7	Safety Thermostat	R23447
8	Bin Thermostat	R23421
13	Microswitch for Overflow Ice	23373

Parts for Air/Water-Cooled Version Only

Ref.	Spare Description	Code
6	Condenser Pressure Switch	23175
9	Anti Radio Interference Filter 230V 3 50 Hz e 400V 3N 50 Hz	C23459
10	Fan Motor	See Table
11	Fan Motor Grid	See Table
12	Fan Motor Capacitor	23469

Ref. 3 - Contactor

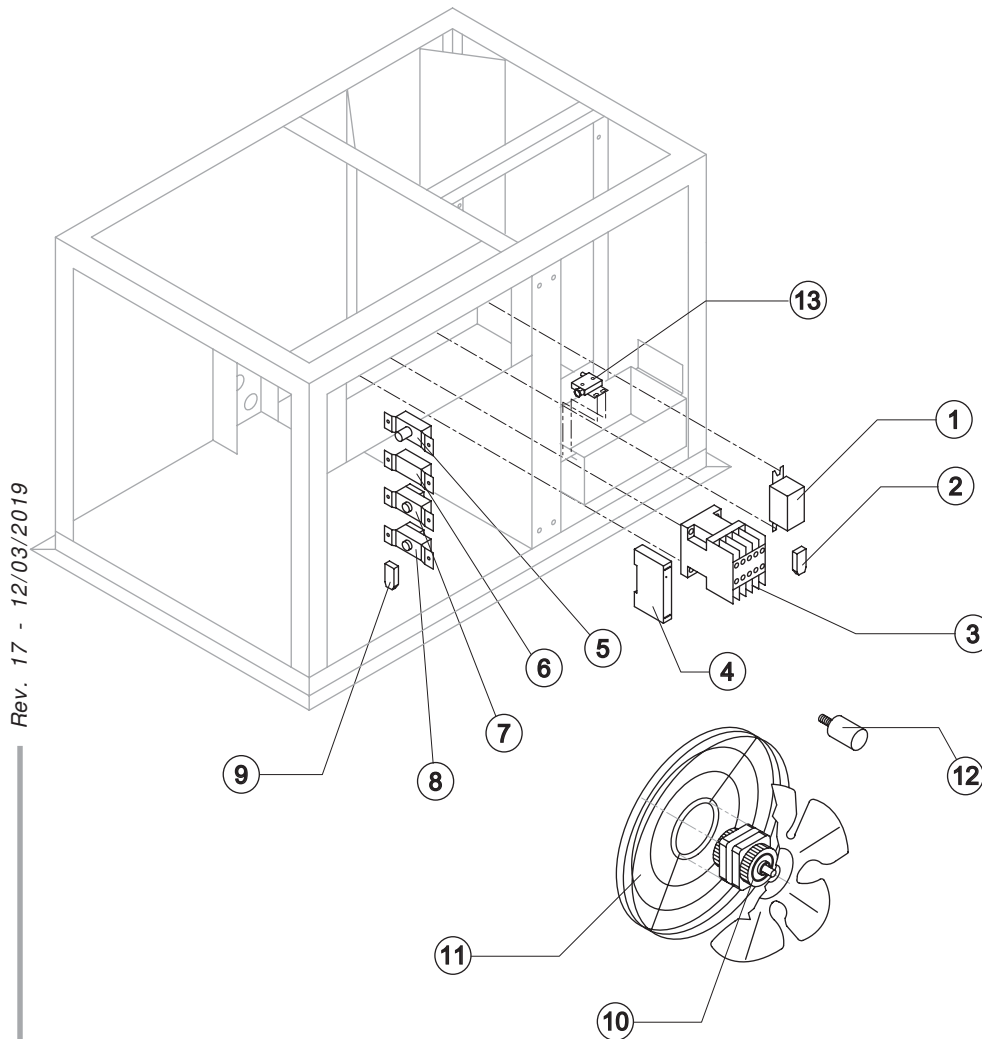
Voltage	Code
230V 3 50 Hz	23147
400V 3N 50 Hz	23147
220-230V 3 60 Hz	23963
440-460V 3N 60 Hz	23963

Ref. 10 - Fan Motor

Voltage	Code
230V 3 50 Hz	23468
400V 3N 50 Hz	23468
220-230V 3 60 Hz	23467
440-460V 3N 60 Hz	23467

Ref. 11 - Fan Motor Grid

Voltage	Code
230V 3 50 Hz	12053
400V 3N 50 Hz	12053
220-230V 3 60 Hz	12052
440-460V 3N 60 Hz	12052



Rev. 17 - 12/03/2019